



# EDDYSTONE

## COMMUNICATIONS RECEIVER

### Model "740"

#### Instruction Manual

The "740" receiver is a general purpose model for professional and amateur communications purposes. It employs eight miniature valves and is capable of an excellent all-round performance. The tuning mechanism incorporates high reduction ratio gearing, bandspread being provided by an auxiliary scale.

The four tuning ranges are as follows :

Band 1	...	30.6 Mc/s.	to	10.5 Mc/s.
Band 2	...	10.6 Mc/s.	to	3.7 Mc/s.
Band 3	...	3.8 Mc/s.	to	1.4 Mc/s.
Band 4	...	205 metres	to	620 metres.

The first three ranges are calibrated in frequency and the fourth in wavelength, to an accuracy better than 0.5%. The Amateur bands are distinctively marked in blue and the shortwave broadcast bands in red, both on the basis of the International allocations made at the 1947 Atlantic City Conference. It is of interest to note that range 4 covers the 600 metre (500 Kc/s.) shipping and distress band.

After careful calibration and alignment (carried out with instrument: specially designed for the purpose), the receiver has been thoroughly tested before despatch. The mains input lead is normally connected to the 230 volt primary tap on the transformer and no adjustment is called for providing the mains voltage is not outside the limits of 210 and 250 volts. When the receiver is used on 110 volt supplies, the cable lead should be changed over from the blue tag to the yellow, as indicated in Fig. 3. A 200 volt tap is also available. It is covered with a rubber sleeve and, when used, should be anchored to the tag strip in place of one of the other leads. The power consumption is 45 watts. The receiver must not be connected to DC mains.

Ensure that the octal plug is in place, as shown in Fig. 1. Without it, only the rectifier valve heater will glow. The mains on/off switch is incorporated in the tone control on the extreme left of the front panel.

A loudspeaker of 2.5 to 3 ohms impedance should be connected to the terminals at the rear — the Eddystone Cat. No. 688 speaker is recommended for use with the "740" receiver. Alternatively high resistance telephones (2,000 to 4,000 ohms) may be plugged into the jack on the front panel.

## AERIAL CONNECTIONS

If a single long wire is used or any aerial with a single wire type of feeder, connection is made to the rear terminal marked "A," the other terminal marked "AE" remaining strapped to the chassis. A good earth connected by a short lead to the second terminal will improve results, particularly on the lower frequencies, but if there is any doubt about the efficiency of the earth, it may be better to leave it off.

For optimum performance, both as regards bringing in weak signals and for keeping noise down to a minimum, an aerial cut to resonate over the frequency band in which the user is mainly interested is strongly recommended. The lengths for dipole aerials to give optimum results at certain frequencies are tabulated below. For details of other types of aerials and feeder systems, the reader is advised to consult the various Handbooks which deal with these specialised subjects.

	Broadcast								Amateur		
Wavelength (Metres) ...	49	31	25	19	16	13	11	9	40	20	10
Frequency (Megacycles) ...	6.1	9.6	11.8	15.1	17.8	21.5	26	27	7	14	28
Length of each arm (feet)	40	26	20	15.5	13	10.5	9	8	33	16.5	8.25

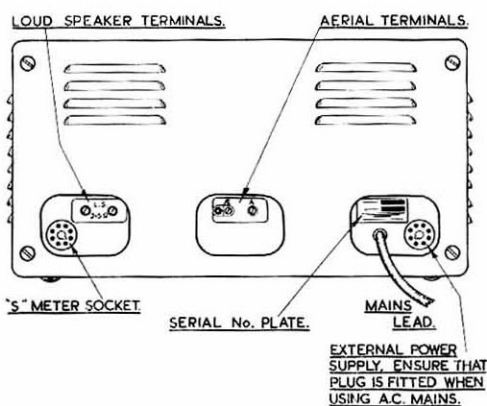


Fig. 1.—Rear view of the "740" Receiver in outline.

## RECEPTION OF TELEPHONY

With the BFO switch in the "off" position, the automatic gain control becomes operative and, for full effectiveness, the RF gain control should be advanced to the maximum position. The volume is adjusted by the audio gain potentiometer on the right. On very strong signals, such as may be received with a large aerial and on medium waves, it may be necessary to reduce the RF gain to prevent overloading. When the main interest lies in the reception of telephony and short wave broadcast stations, the Eddystone Cat. No. 669 Signal Strength Meter will be found a valuable adjunct to correct tuning and also gives a comparative indication of the strength of the received carrier.

## RECEPTION OF CW SIGNALS

Switching on the BFO (thereby also cutting out AGC) applies HT to the beat oscillator valve and places the receiver in a condition to accept CW signals. Only when the incoming signal is very weak or if the aerial is poor will it usually be necessary to employ full RF gain. Experience with the handling of the "740" receiver will enable a fine balance to be struck between RF and AF gain, to give maximum intelligibility with minimum noise.

The BFO pitch control varies the beat note 3 Kc/s. either side of zero. A note between 800 and 1,000 cycles is usually selected and when interference is present, it is well to try the effect of swinging from one side of zero beat to the other, as this procedure may minimise the interference.

## NOISE LIMITER

In a quiet situation, it will not be necessary to make use of the noise limiter but when electrical interference of a staccato nature is experienced (on telephony or CW), switching on the noise limiter will effectively remove a high percentage of the interfering noise, with little effect on the strength of the signal and without introducing distortion. The noise limiter must not be expected to act effectively with noise of a mushy type as generated by vacuum cleaners and other electrical equipment incorporating motors — these should be filtered with suppressors at the source.

In a noisy location, it is well to erect an aerial well in the clear and as far as possible from electric light wiring. The stronger the incoming signal, the more the gain of the receiver can be reduced (automatically on telephony, manually on CW) thereby reducing also the effect of any interference being picked up.

## STANDBY SWITCH

When in the "off" position, the standby switch desensitises the receiver very considerably. The oscillator valve continues to operate under steady conditions, thereby minimising any tendency for the frequency to vary during standby periods.

The receiver is also available as a monitor of the outgoing signal. It is necessary to prevent an excessive RF voltage being applied to the aerial terminals during the operation of an associated transmitter and the leads to these terminals should be kept as short as possible. If a separate aerial is employed for reception, arrangements should be made (e.g., by the provision of a suitable relay) for disconnecting or earthing the aerial during transmission periods.

## CONNECTION OF SIGNAL STRENGTH METER

The Eddystone Cat. No. 669 "S" Meter is recommended for use with the "740" receiver. It incorporates a sensitive moving-coil meter of 200 microamperes full scale deflection. The flexible lead from the meter terminates in an octal plug which should be inserted in the socket near the loudspeaker terminals as indicated in Fig. 1. Reference to the circuit diagram of the receiver will show that one half of the double-diode V7 is in series with the meter movement. This prevents reverse current flowing through the meter when the balance is disturbed and the meter can be left in circuit under all conditions of operation without likelihood of damage. The bottom bend characteristic of the diode results in sluggish action at low signal strengths and, to overcome this, the needle of the meter is purposely offset below the zero mark on the scale by means of the mechanical adjuster. With the receiver controls set for reception of telephony, the aerial and earth terminals (or doublet terminals) should be shorted and the "S" Meter needle made to coincide with zero by adjustment of the electrical balance control at the rear of the meter. On removing the short, the meter will indicate comparative carrier strength.

## OPERATION FROM 6 VOLT ACCUMULATOR

The "740" receiver may be operated from a 6 volt accumulator supply in conjunction with an Eddystone Cat. No. 687 Vibrator Power Unit. The latter has been specially designed for the purpose, is free from hash and matches the "740" in appearance. The consumption from the accumulator is between 5 and 6 amperes. Full installation details are provided with the Power Unit.

# ALIGNMENT INSTRUCTIONS

The following instructions are based on the assumption that normal routine re-alignment is to be carried out. Although minor adjustments may be made without them, it is much more satisfactory, for proper alignment, to use test instruments, the following being essential :

1. A Signal Generator, fitted with a calibrated attenuator and having internal modulation. The frequency range should cover that of the receiver and the intermediate frequency. The Signal Generator should preferably be isolated with .01  $\mu$ F condensers, a 1 megohm resistor being connected across the leads, on the receiver side, to ensure DC continuity. For the sake of brevity the Signal Generator is referred to in the following notes as the Sig. Gen. When aligning the RF stages, a dummy aerial, suitable for high frequencies, should be interposed between the direct output of the generator and the aerial terminals of the receiver. Should no dummy aerial be supplied with the generator, a 400 ohm carbon resistor will serve, fitted in series with the high potential lead.
2. An audio output meter, calibrated in milliwatts and decibels to match an impedance of 2.5 ohms.
3. A non-metallic trimming tool, with a screwdriver shaped end, for adjusting coil cores, etc. The Eddystone Cat. No. 122T tool is suitable.

The receiver should be removed from its cabinet (by unscrewing the four screws at the rear) and stood on its left-hand end, face to the operator. Connect the output meter across the speaker terminals, leaving the speaker connected, as this is helpful.

## IF CIRCUITS

The controls should be set as follows :

RF Gain	...	...	Maximum.
Tone Control	...	...	Fully Clockwise.
AF Gain	...	...	Maximum.
BFO	...	...	Off.
N.L.	...	...	Off.
Selector Switch	...	...	Range 4.

The intermediate frequency is 450 Kc/s. The I.F. Transformers are well designed and constructed and are unlikely to drift off frequency over long periods. Before commencing alignment, allow the receiver and the Sig. Gen. to warm up for at least ten minutes, to minimise frequency drift.

The Sig. Gen. leads should be clipped, one to the stator of the centre section of the gang condenser, the other to the coil box casting. The Sig. Gen. should be adjusted to a frequency of 450 Kc/s., 30% modulated, with the attenuator set to give an output in the region of 100 microvolts.

Then proceed to adjust, with the insulated trimming tool, the cores in the I.F. Transformers. The Sig. Gen. output should be reduced as necessary. When maximum output has been secured the attenuator should indicate less than 80 microvolts for a 50 milliwatt output, as shown on the meter with the speaker disconnected. Should the attenuator reading be higher than this, it is possible that the valve emission is beginning to fail.

## BFO ADJUSTMENT

After completion of the IF alignment, the Signal Generator internal modulation should be switched off and the BFO in the receiver switched on. Zero heterodyne beat should occur with the BFO pitch control condenser at half mesh (white spot at the top). If this is not the case, the core in the BFO unit should be adjusted — it is accessible from beneath the chassis.

## RF AND OSCILLATOR RE-ALIGNMENT

For the sake of completeness, the instructions which follow give the whole procedure for re-alignment of the radio frequency, frequency changer and oscillator sections. It is emphasised, however, that usually all that will be necessary is slight adjustment of the trimmer condensers and this operation can be carried out without removing the cover of the coil box. In the first place, therefore, only those instructions in the following paragraphs dealing with trimmer adjustment should be attended to. If the alignment is still not wholly satisfactory, the coil cores may be adjusted, but considerable care is called for to ensure that proper tracking is maintained.



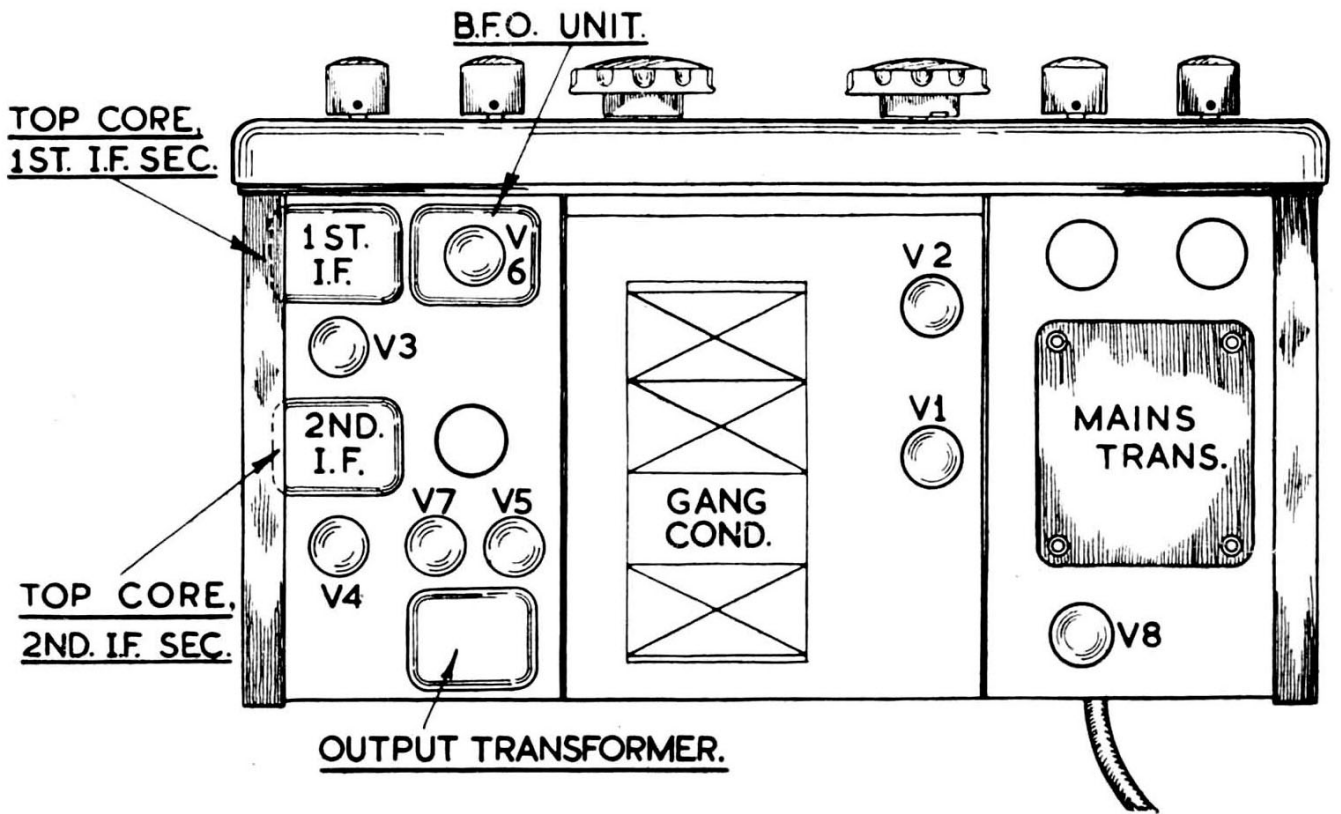
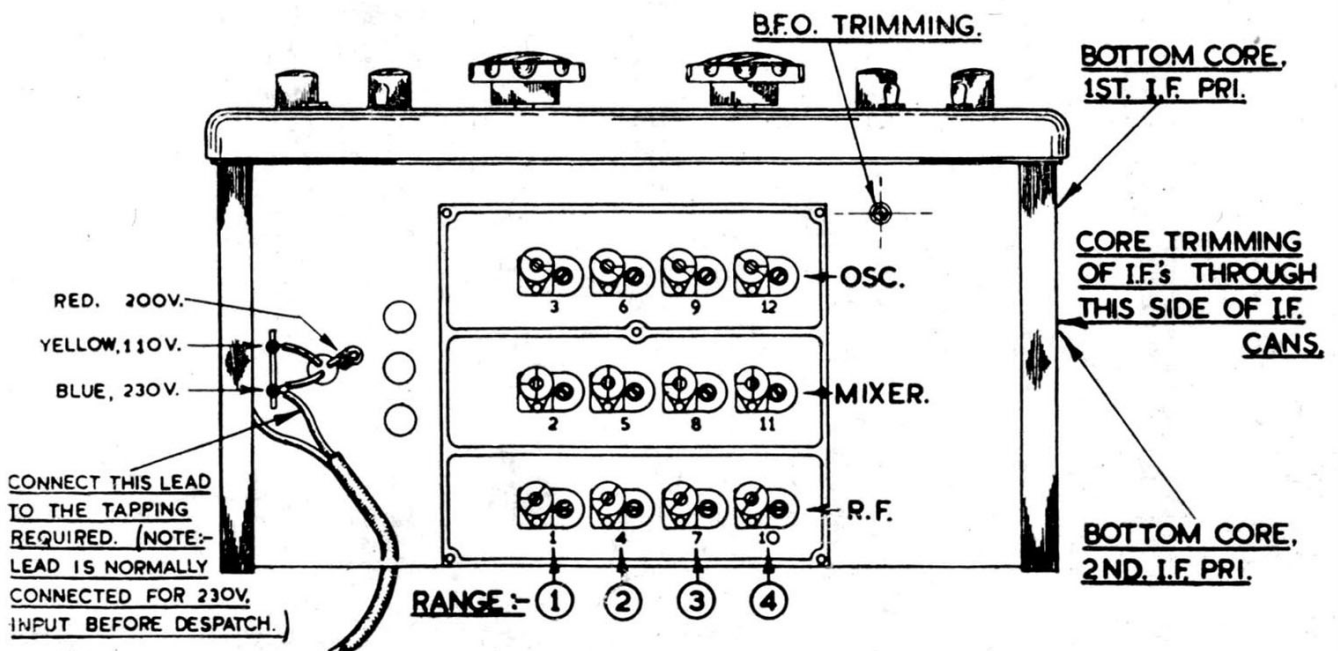


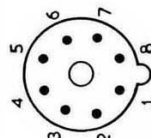
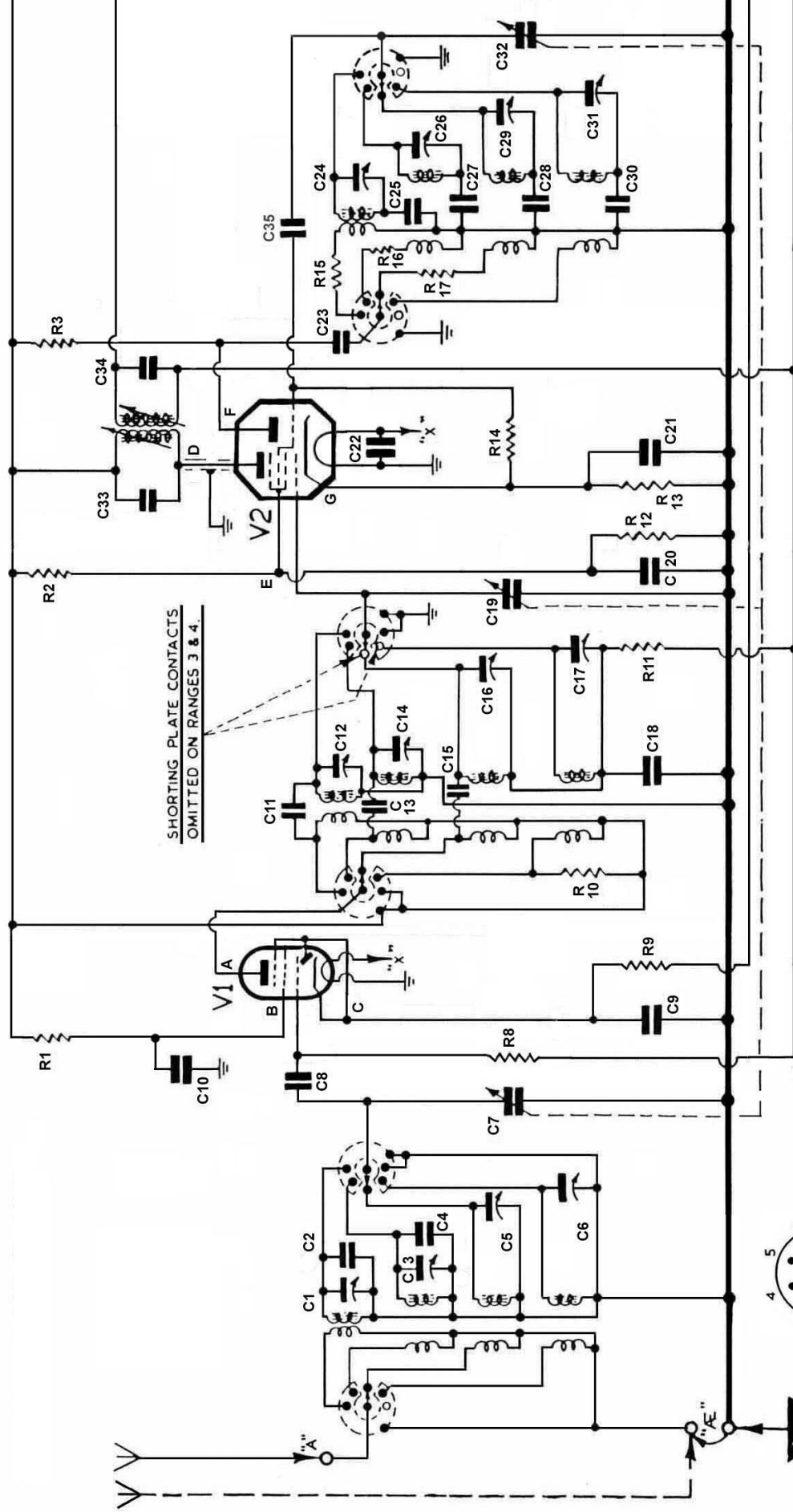
Fig. 2.—Plan view of the "740" Receiver showing valve positions.



BP 750

UNDERSIDE VIEW OF "740" RX IN OUTLINE.

Fig. 3.—Underside view of the Receiver, with details of coil positions and numbers.



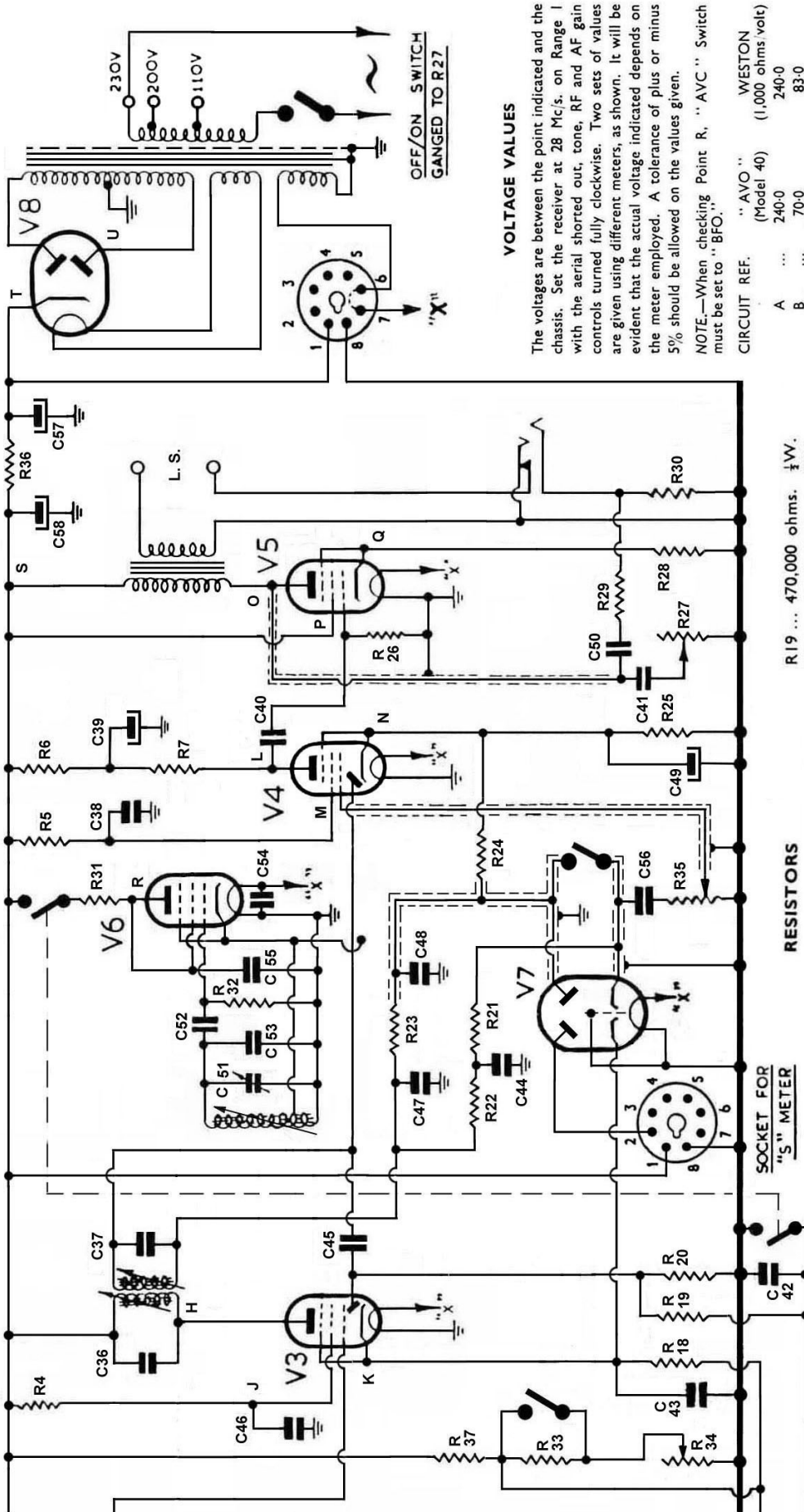
## EDDYSTONE "740"

VALVES	1	2	3	4	5	6	7	8
V1,3,4,6	H	A	AD	G3	G2	G1	KS	H
V2	H	AH	AT	G3	G2	G1	K	H
V5	H	A	K	-	G2	G1	K	H
V7	H	-	K2	D2	S	D1	K1	H
V8	H	A1	-	-	-	A2	K	H

### CONDENSERS

- C1 ... 3-23 pf. Air Trimmer.
- C2 ... 10 pf. Silvered Mica.
- C3 ... 3-23 pf. Air Trimmer.
- C4 ... 6 pf. Silvered Mica.
- C5 ... 3-23 pf. Air Trimmer.
- C6 ... 3-23 pf. Air Trimmer.
- C7 ... 11.5-366 pf. RF Sect. 3 g.
- C8 ... 100 pf. Silvered Mica.
- C9 ... .1 mfd. Tub. Paper.
- C10 ... .1 mfd. Tub. Paper.
- C11 ... 20 pf. Silvered Mica.

- C12 ... 3-23 pf. Air Trimmer.
- C13 ... 6 pf. Silvered Mica.
- C14 ... 3-23 pf. Air Trimmer.
- C15 ... 3 pf. Silvered Mica.
- C16 ... 3-23 pf. Air Trimmer.
- C17 ... 3-23 pf. Air Trimmer.
- C18 ... .01 mfd. Tub. Paper.
- C19 ... 11.5-366 pf. FC Sect. 3 g.
- C20 ... .1 mfd. Tub. Paper.
- C21 ... .1 mfd. Tub. Paper.
- C22 ... .0005 Moulded Mica.
- C23 ... 100 pf. Silvered Mica.
- C24 ... 3-23 pf. Air Trimmer.
- C25 ... 3625 pf. Silvered Mica.
- C26 ... 3-23 pf. Air Trimmer.
- C27 ... 2825 pf. Silvered Mica.
- C28 ... 1040 pf. Silvered Mica.
- C29 ... 3-23 pf. Air Trimmer.
- C30 ... 400 pf. Silvered Mica.
- C31 ... 3-23 pf. Air Trimmer.
- C32 ... 11.5-366 pf. Osc. Sect. 3 g.
- C33 ... 100 pf. Silvered Mica.
- C34 ... 100 pf. Silvered Mica.
- C35 ... 100 pf. Silvered Mica.
- C36 ... 100 pf. Silvered Mica.
- C37 ... 100 pf. Silvered Mica.
- C38 ... .1 mfd. Tub. Paper.
- C39 ... 8 mfd. or 12 mfd. Elect.
- C40 ... .01 mfd. Moulded Mica.
- C41 ... .1 mfd. Tub. Paper.
- C42 ... .01 mfd. Tub. Paper.



OFF/ON SWITCH  
GANGED TO R27

### VOLTAGE VALUES

The voltages are between the point indicated and the chassis. Set the receiver at 28 Mc/s. on Range 1 with the aerial shorted out, tone, RF and AF gain controls turned fully clockwise. Two sets of values are given using different meters, as shown. It will be evident that the actual voltage indicated depends on the meter employed. A tolerance of plus or minus 5% should be allowed on the values given.

NOTE.—When checking Point R, "AVC" Switch must be set to "BFO."

CIRCUIT REF. "AVO" (Model 40) WESTON (1,000 ohms/volt)

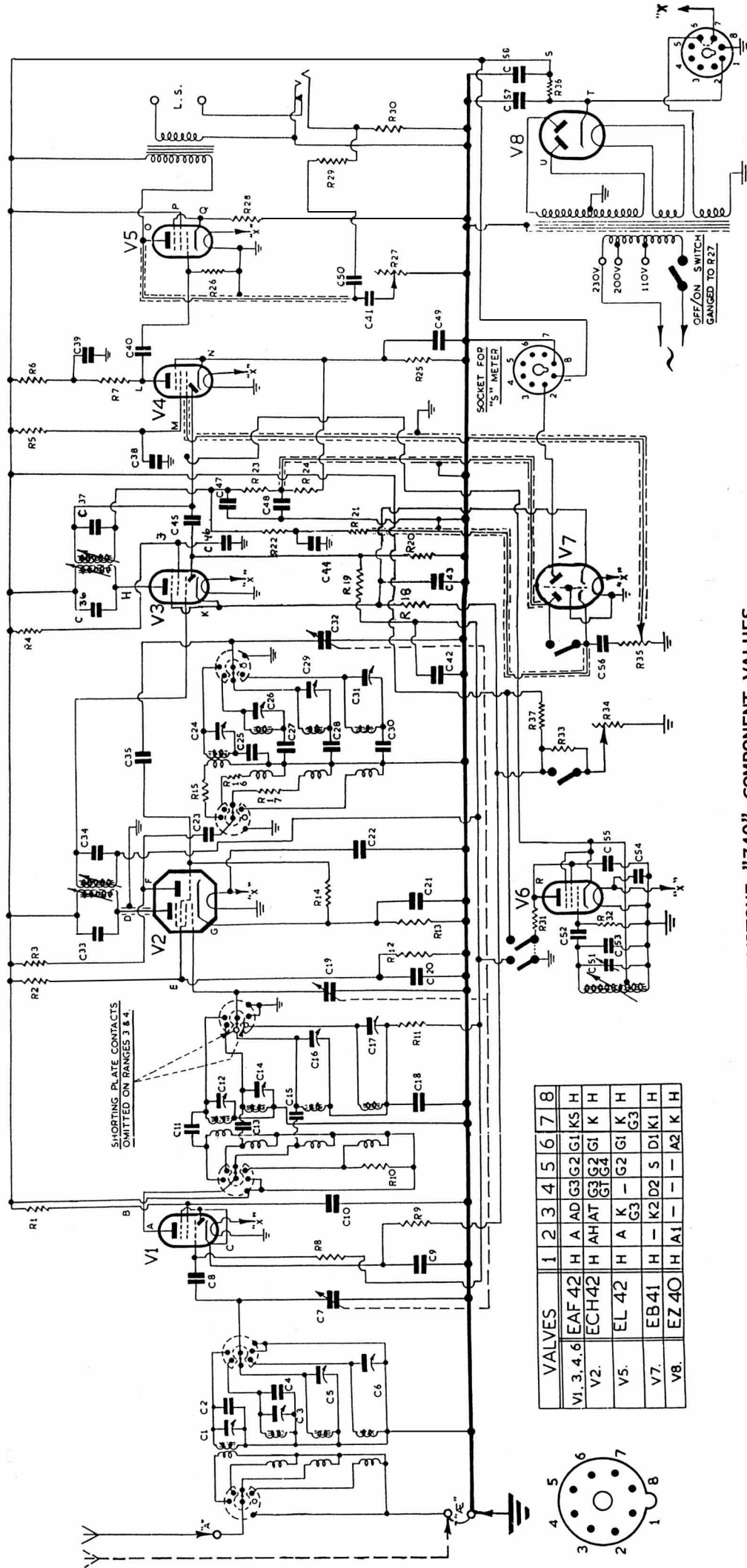
CIRCUIT REF.	"AVO" (Model 40)	WESTON (1,000 ohms/volt)
A ...	2400	2400
B ...	700	830
C ...	20	20
D ...	2380	2400
E ...	840	920
F ...	770	930
G ...	20	20
H ...	2380	2400
J ...	720	870
K ...	24	25
L ...	320	350
M ...	150	180
N ...	07	09
O ...	2330	2350
P ...	2400	2400
Q ...	105	105
R ...	750	800
S ...	2400	2400
T ...	2600	2600
U ...	2500 AC	2500 AC
HT CURRENT	57mA	57mA
AC CURRENT	0.188 amps.	0.185 amps.

### RESISTORS

R1 ...	100,000 ohms.	1/2W.
R2 ...	470,000 ohms.	1/2W.
R3 ...	22,000 ohms.	1W.
R4 ...	33,000 ohms.	1W.
R5 ...	100,000 ohms.	1/2W.
R6 ...	25,000 ohms.	1/2W.
R7 ...	270,000 ohms.	1/2W.
R8 ...	470,000 ohms.	1/2W.
R9 ...	330 ohms.	1/2W.
R10 ...	3,000 ohms.	1/2W.
R11 ...	470,000 ohms.	1/2W.
R12 ...	22,000 ohms.	1/2W.
R13 ...	220 ohms.	1/2W.
R14 ...	33,000 ohms.	1/2W.
R15 ...	22 ohms.	1/2W.
R16 ...	47 ohms.	1/2W.
R17 ...	560 ohms.	1/2W.
R18 ...	470 ohms.	1/2W.
R19 ...	470,000 ohms.	1/2W.
R20 ...	470,000 ohms.	1/2W.
R21 ...	2.0 MΩ.	1/2W.
R22 ...	1.0 MΩ.	1/2W.
R23 ...	100,000 ohms.	1/2W.
R24 ...	100,000 ohms.	1/2W.
R25 ...	1,400 ohms.	1/2W.
R26 ...	470,000 ohms.	1/2W.
R27 ...	50,000 ohms.	Pot.
R28 ...	400 ohms.	1/2W.
R29 ...	33,000 ohms.	1/2W.
R30 ...	2,200 ohms.	1/2W.
R31 ...	47,000 ohms.	1/2W.
R32 ...	47,000 ohms.	1/2W.
R33 ...	51,000 ohms.	1/2W.
R34 ...	10,000 ohms.	Pot.
R35 ...	500,000 ohms.	Pot.
R36 ...	400 ohms.	3W.
R37 ...	100,000 ohms.	1/2W.

### SOCKET FOR "5" METER

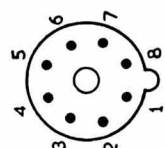
C43 ...	.1 mfd.	Tub. Paper.
C44 ...	.1 mfd.	Tub. Paper.
C45 ...	20 pf.	Silvered Mica.
C46 ...	.1 mfd.	Tub. Paper.
C47 ...	100 pf.	Silvered Mica.
C48 ...	100 pf.	Silvered Mica.
C49 ...	30 mfd.	Elect. at 15v.
C50 ...	.01 mfd.	Moulded Mica.
C51 ...	BFO	Pitch Control
C52 ...	100 pf.	Silvered Mica.
C53 ...	100 pf.	Silvered Mica.
C54 ...	.01 mfd.	Tub. Paper.
C55 ...	.01 mfd.	Tub. Paper.
C56 ...	.01 mfd.	Moulded Mica.
C57 ...	50 mfd.	Elect.
C58 ...	50 mfd.	Elect.



**EDDYSTONE "740" COMPONENT VALUES**

CONDENSERS	VALVES	RESISTORS	POTENTIOMETERS
C1	V1, 3, 4, 6	R1	Potentiometer, 3W.
C2	V2	R2	Potentiometer, 400 ohms.
C3	V5	R3	Potentiometer, 470 ohms.
C4	V7	R4	Potentiometer, 470 ohms.
C5	V8	R5	Potentiometer, 470 ohms.
C6		R6	Potentiometer, 470 ohms.
C7		R7	Potentiometer, 470 ohms.
C8		R8	Potentiometer, 470 ohms.
C9		R9	Potentiometer, 470 ohms.
C10		R10	Potentiometer, 470 ohms.
C11		R11	Potentiometer, 470 ohms.
C12		R12	Potentiometer, 470 ohms.
C13		R13	Potentiometer, 470 ohms.
C14		R14	Potentiometer, 470 ohms.
C15		R15	Potentiometer, 470 ohms.
C16		R16	Potentiometer, 470 ohms.
C17		R17	Potentiometer, 470 ohms.
C18		R18	Potentiometer, 470 ohms.
C19		R19	Potentiometer, 470 ohms.
C20		R20	Potentiometer, 470 ohms.
C21		R21	Potentiometer, 470 ohms.
C22		R22	Potentiometer, 470 ohms.
C23		R23	Potentiometer, 470 ohms.
C24		R24	Potentiometer, 470 ohms.
C25		R25	Potentiometer, 470 ohms.
C26		R26	Potentiometer, 470 ohms.
C27		R27	Potentiometer, 470 ohms.
C28		R28	Potentiometer, 470 ohms.
C29		R29	Potentiometer, 470 ohms.
C30		R30	Potentiometer, 470 ohms.
C31		R31	Potentiometer, 470 ohms.
C32		R32	Potentiometer, 470 ohms.
C33		R33	Potentiometer, 470 ohms.
C34		R34	Potentiometer, 470 ohms.
C35		R35	Potentiometer, 470 ohms.
C36		R36	Potentiometer, 470 ohms.
C37		R37	Potentiometer, 470 ohms.
C38		R38	Potentiometer, 470 ohms.
C39		R39	Potentiometer, 470 ohms.
C40		R40	Potentiometer, 470 ohms.
C41		R41	Potentiometer, 470 ohms.
C42		R42	Potentiometer, 470 ohms.
C43		R43	Potentiometer, 470 ohms.
C44		R44	Potentiometer, 470 ohms.
C45		R45	Potentiometer, 470 ohms.
C46		R46	Potentiometer, 470 ohms.
C47		R47	Potentiometer, 470 ohms.
C48		R48	Potentiometer, 470 ohms.
C49		R49	Potentiometer, 470 ohms.
C50		R50	Potentiometer, 470 ohms.
C51		R51	Potentiometer, 470 ohms.
C52		R52	Potentiometer, 470 ohms.
C53		R53	Potentiometer, 470 ohms.
C54		R54	Potentiometer, 470 ohms.
C55		R55	Potentiometer, 470 ohms.
C56		R56	Potentiometer, 470 ohms.
C57		R57	Potentiometer, 470 ohms.
C58		R58	Potentiometer, 470 ohms.

VALVES	1	2	3	4	5	6	7	8
V1, 3, 4, 6	H	A	AD	G3	G2	G1	KS	H
V2	H	AH	AT	G3	G2	G1	K	H
V5	H	A	K	G3	G2	G1	K	H
V7	H	K	D2	S	D1	K1	H	
V8	EZ	40	H	A1	-	-	A2	K



CONDENSERS  
 C1 ...  
 C2 ...  
 C3 ...  
 C4 ...  
 C5 ...  
 C6 ...  
 C7 ...  
 C8 ...  
 C9 ...  
 C10 ...  
 C11 ...  
 C12 ...  
 C13 ...  
 C14 ...  
 C15 ...

POTENTIOMETERS  
 P1 ...  
 P2 ...  
 P3 ...  
 P4 ...  
 P5 ...  
 P6 ...  
 P7 ...  
 P8 ...  
 P9 ...  
 P10 ...  
 P11 ...  
 P12 ...  
 P13 ...  
 P14 ...  
 P15 ...  
 P16 ...  
 P17 ...  
 P18 ...  
 P19 ...  
 P20 ...  
 P21 ...  
 P22 ...  
 P23 ...  
 P24 ...  
 P25 ...  
 P26 ...  
 P27 ...  
 P28 ...  
 P29 ...  
 P30 ...  
 P31 ...  
 P32 ...  
 P33 ...  
 P34 ...  
 P35 ...  
 P36 ...  
 P37 ...